

PRODUCT INFORMATION PACKET



Model No: M090585.00
Catalog No: M090585.00
Fan and Blower Motor, 0.50 HP, 1 Ph, 60 Hz, 115 V, 1800 RPM, 48 Frame, DP



Regal and Leeson are trademarks of Regal Rexnord Corporation or one of its affiliated companies.
©2022 Regal Rexnord Corporation, All Rights Reserved. MC017097E



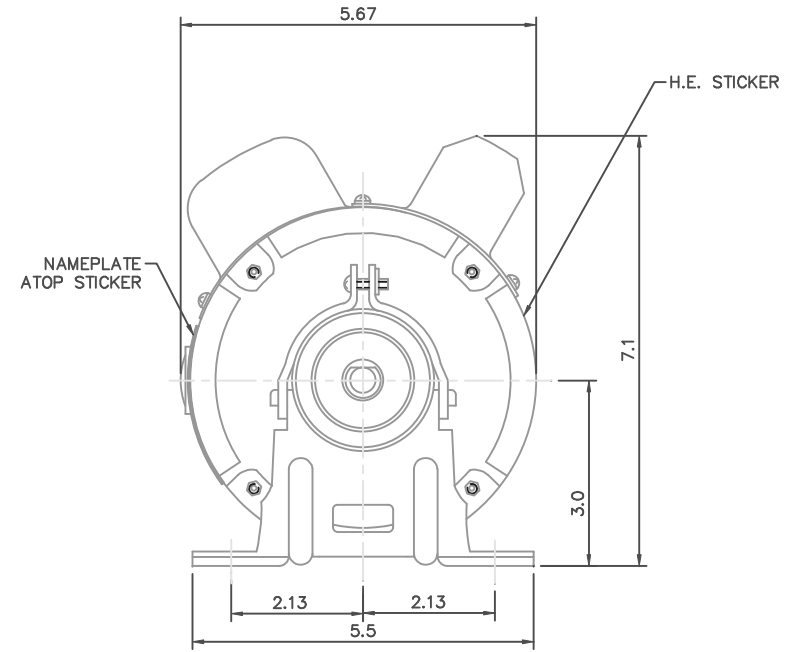
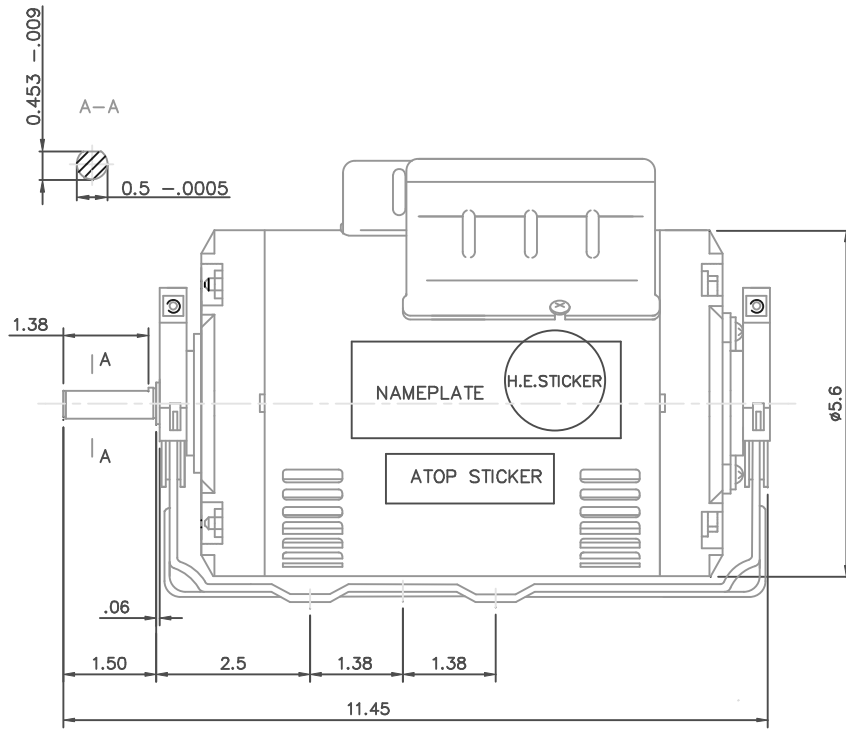


Nameplate Specifications

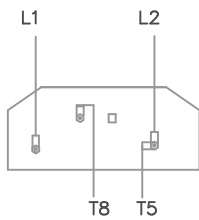
Output HP	0.50 Hp	Output KW	0.37 kW
Frequency	60 Hz	Voltage	115 V
Current	4.6 A	Speed	1725 rpm
Service Factor	1	Phase	1
Efficiency	76 %	Power Factor	85
Duty	Continuous	Insulation Class	B
Design Code	NO DESIGN CODE	KVA Code	F
Frame	48	Enclosure	Drip Proof
Thermal Protection	Automatic	Ambient Temperature	40 °C
Drive End Bearing Size	6203	Opp Drive End Bearing Size	6203
UL	Recognized	CSA	Y
CE	N	IP Code	22
Number of Speeds	1		

Technical Specifications

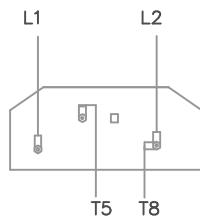
Electrical Type	Capacitor Start Capacitor Run	Starting Method	Across The Line
Poles	4	Rotation	Selective Counterclockwise
Resistance Main	0 Ohms	Mounting	Resilient Base
Motor Orientation	Horizontal	Drive End Bearing	Ball
Opp Drive End Bearing	Ball	Frame Material	Rolled Steel
Shaft Type	NEMA 48	Overall Length	11.45 in
Shaft Diameter	0.500 in	Shaft Extension	1.5 in
Assembly/Box Mounting	F1 ONLY		
Connection Drawing	NONE	Outline Drawing	16993100



WIRING DIAGRAM



C.C.W. ROTATION FACING LEAD END



C.W. ROTATION FACING LEAD END

NO.		REVISION	BY & DATE	CHK	ANG	TOLERANCES UNLESS SPECIFIED	FINISH	LEESON ELECTRIC MOTORS GEARMOTORS AND DRIVES		DRAWN	RLW 8/12/03	
						DEC.	INCHES	<div style="display: flex; align-items: center;"> <div> <p>OUTLINE</p> <p>48 FRAME RESILIENT BASE</p> </div> </div>		CHK		
						.X	±.1			TITLE	APPD	
						.XX	±.03			SCALE	1=50.8	
						.XXX	±.005			REF		
						.XXXX	±.0005	MAT'L	FMF			
						ANG	±1/2'	PREV				
<p>THIS DRAWING IN DESIGN AND DETAIL IS OUR PROPERTY AND MUST NOT BE USED EXCEPT IN CONNECTION WITH OUR WORK ALL RIGHTS OF DESIGN AND INVENTION ARE RESERVED THIS IS AN ELECTRONICALLY GENERATED DOCUMENT - DO NOT SCALE THIS PRINT</p>				RFP		CAD FILE	16993100	SIZE	B	DRAWING NO.	169931-00	
				DIST				REV.				